
DU2-64 DU2-54

Supplementary Manual (To Users of the VG2-640/540)

Read this first

This manual explains the changes in the "DU2-64/DU2-54 User's Manual" that apply for the VG2-640/540. Be sure to read this manual prior to using this machine. For matters not included in this manual, see the "DU2-64/DU2-54 User's Manual."

Introduction.....	1
About This Machine.....	2
What's the DU2-64 / DU2-54.....	2
Compatible Models (As of March 2019).....	2
Part Names and Functions.....	3
Included Items.....	5
Installing on the Printer.....	6
Step 1: Attaching the Arms.....	6
Step 2: Installing the Drying-heater Unit.....	8
Step 3: Installing the Blower-fan Unit.....	10
Connecting the Cables.....	13
Basic Operations	15
Drying-heater Unit Operation.....	16
What to Do First	16
Switching the Power On and Off	17
Setting the Drying-Heater Unit Temperature	18
Blower-fan Unit Operation	19
Turning On the Power of the Blower-fan Unit.....	19
Specifications.....	20



1000020358

This device is Class A Information Technology Equipment. This device may cause electronic interference when used in a household environment. In such cases, the user may be asked to implement appropriate measures.

VCCI-A

Company names and product names are trademarks or registered trademarks of their respective holders.

Introduction

About This Machine.....	2
What's the DU2-64 / DU2-54	2
Compatible Models (As of March 2019)	2
Part Names and Functions.....	3
Included Items	5
Installing on the Printer	6
Step 1: Attaching the Arms	6
Step 2: Installing the Drying-heater Unit.....	8
Step 3: Installing the Blower-fan Unit	10
Connecting the Cables	13

About This Machine

What's the DU2-64 / DU2-54

This is an auxiliary drying unit that combines a drying-heater unit and a blower-fan unit. It uses the drying-heater unit to dry the ink by warming the media after printing. It also uses the blower-fan unit to dry the ink by blowing air against the surface of the media.

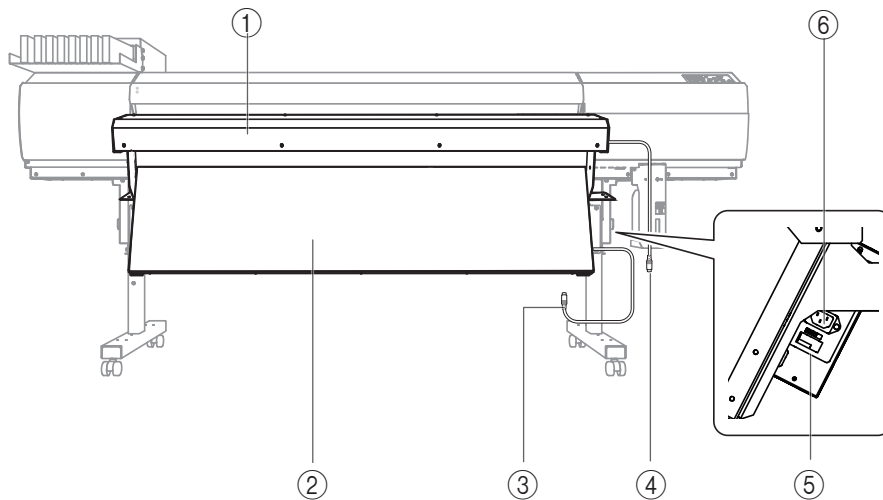
An electrical outlet separate from that for the printer is required in order to use the drying-heater unit.

Compatible Models (As of March 2019)

- **VG-640/540**
- **EJ-640**
- **XF-640**
- **VG2-640/540**

* The printer and the drying-heater unit require separate high-capacity electrical outlets. Make sure to connect the two power cords to outlets on separate systems. Also, make sure that the electrical outlets meet the machine's ratings.


Part Names and Functions



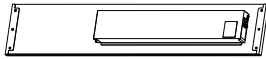
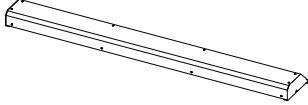
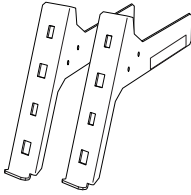
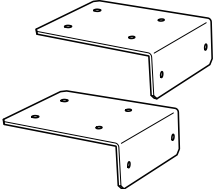
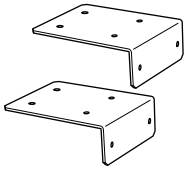
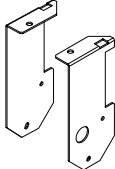




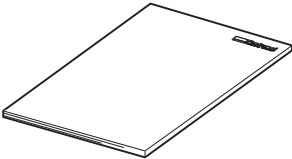

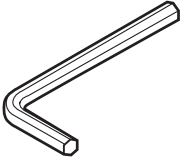
No.	Name	Function overview
①	Blower-fan unit	This blows air onto the surface of the media after printing.
②	Drying-heater unit	This warms the media after printing.
③	Drying-heater unit cable	This connects to the printer.
④	Blower-fan unit cable	This connects to the printer.
⑤	Power switch	This is the power switch for the drying-heater unit.
⑥	Power-cord connector	This supplies power to the drying-heating unit.

About the Notation Used in This Manual

In this document, the keys and lights on the printer unit operation panel are indicated as shown below.

Part	Name	Details	Notation in this manual
	Cursor keys	Use these to select settings for menu items, to move the media, and for other such operations.	[◀] [▼] [▲] [▶]
SETUP	SETUP light	The light turns on when media has been loaded correctly.	[SETUP]
ENTER	ENTER key	Use this for such tasks as enabling setting values.	[ENTER]
MENU	MENU key	Press this to enter the menus for various settings.	[MENU]
HEATER	HEATER light	This light flashes while the media heating system is warming up. It stays lit when the set temperature is reached.	[HEATER]
FUNCTION	FUNCTION key	You press this when entering the setting menu for cleaning of the print heads, printing tests, and so on.	[FUNCTION]

Included Items

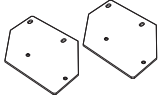

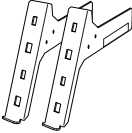

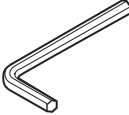

 <p>Drying-heater unit (1)</p>	 <p>Blower-fan unit (1)</p>	 <p>Arm A (1 each for right and left)</p>
 <p>Arm B (large) (1 each for right and left)</p>	 <p>Arm B (small) (1 each for right and left)</p>	 <p>Stay (1 each for right and left)</p>
 <p>Power cord (1)</p>	 <p>Washer (4)</p>	 <p>Bolt (14)</p>
 <p>Cable clamp (4)</p>	 <p>User's Manual (this document) (1)</p>	 <p>Bushing (1)</p>
 <p>Hexagonal wrench (1)</p>		

Installing on the Printer

⚠ WARNING Perform this task with all power switches left switched off.
Failure to observe this instruction may cause the machine to move suddenly, resulting in injury.

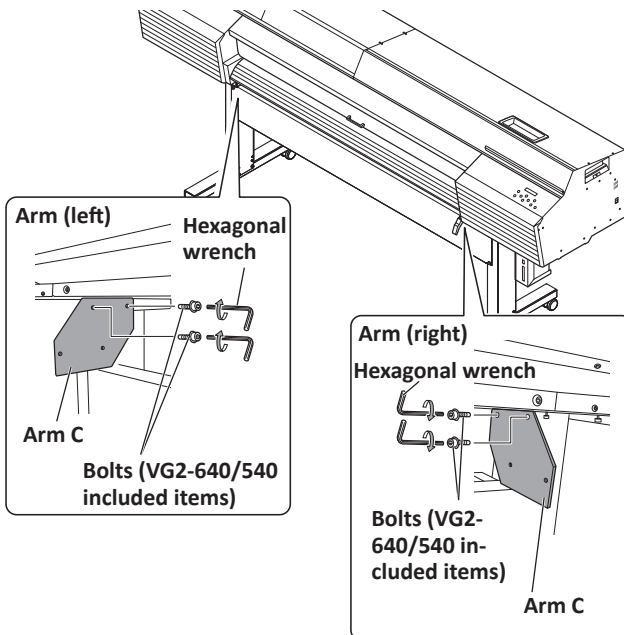
Step 1: Attaching the Arms

Included Items Required

VG2-640/540 included items					
					
Arm C	Bolt	Arm A	Bolt	Hexagonal wrench	Cable clamp

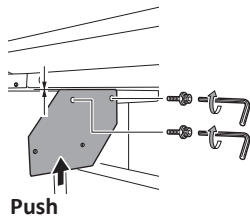
Procedure

1 Temporarily tighten arm C with the bolts.

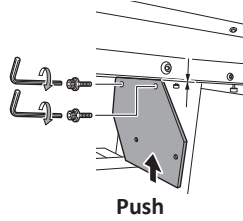


2 Tighten the bolts fully (two locations on each arm) while pushing up on arm C.

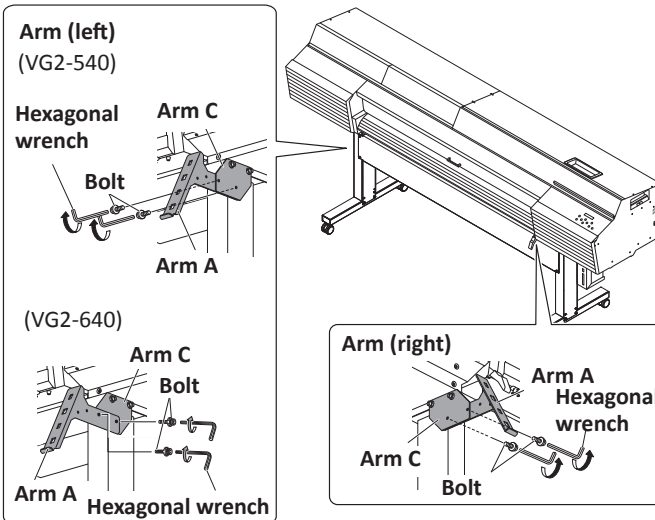
Arm (left)



Arm (right)

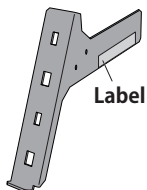


3 Attach arm A to arm C.

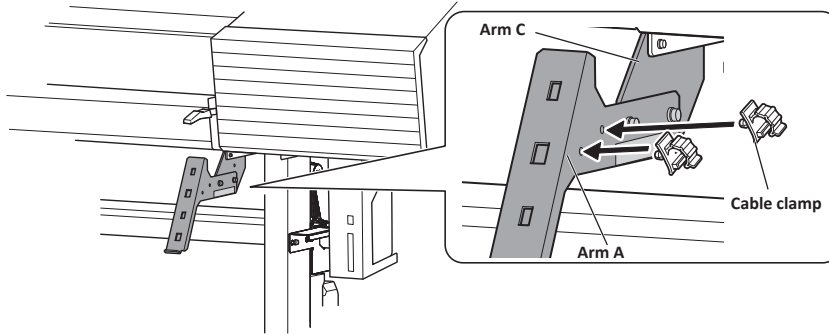


Point

Use the side of arm A with the label attached as the right side.



4 Attach the two cable clamps to arm A (right).

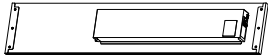

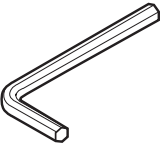


This completes the procedure for attaching the arms.

☞ "Step 2: Installing the Drying-heater Unit" P. 8

Step 2: Installing the Drying-heater Unit

Included Items Required

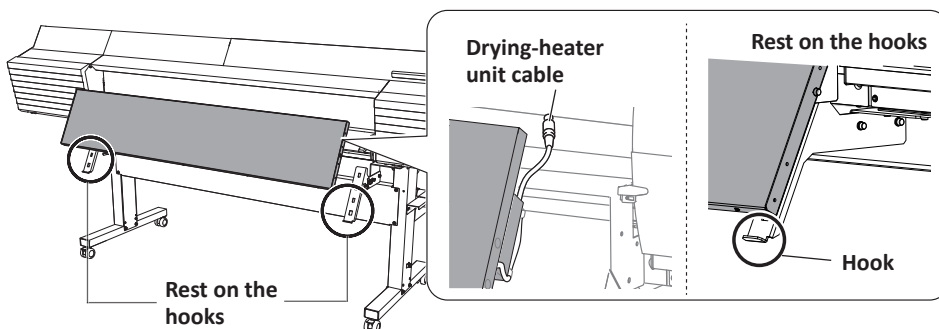
		
Drying-heater unit	Bolt	Hexagonal wrench

* The VG-640 is used for the printer in the figures.

Procedure

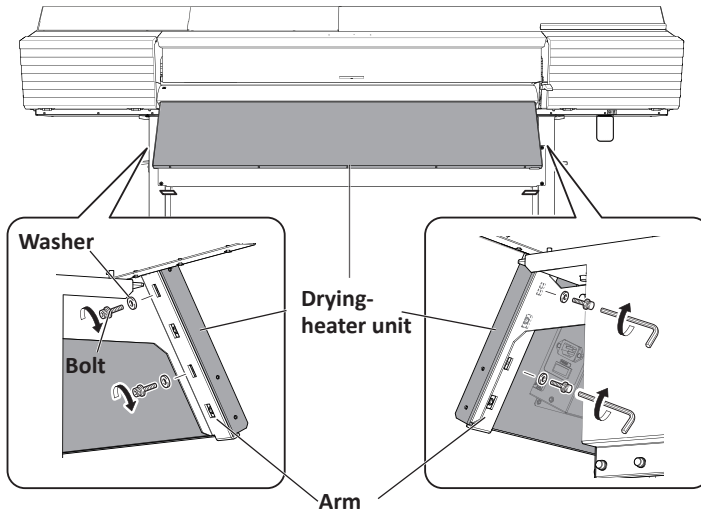
1 Place the drying-heater unit on the arms.

Place it oriented as shown in the figure.



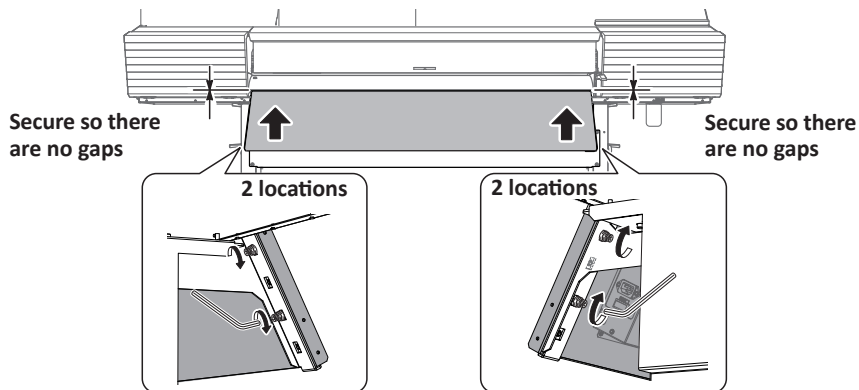
2 Temporarily secure the drying-heater unit.

Attach the drying-heater unit to the arms and temporarily secure it using two bolts with attached washers on both the right and left sides.



3 Secure the drying-heater unit.

Raise up the drying-heater unit to eliminate any gap between the unit and the printer, then fully tighten the four bolts.

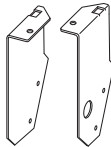



Proceed to the next step according to the model you are using.

☞ "Step 3: Installing the Blower-fan Unit" P. 10

Step 3: Installing the Blower-fan Unit

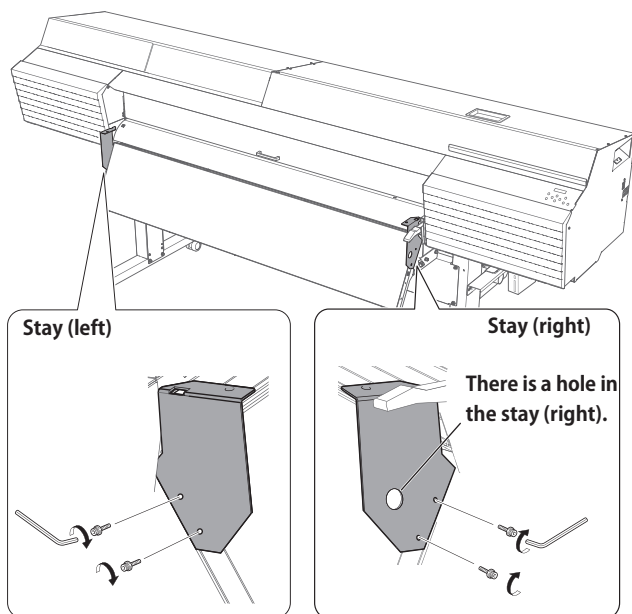
Included Items Required

VG2-640/540 included items	
	
Stays	Cable clamp

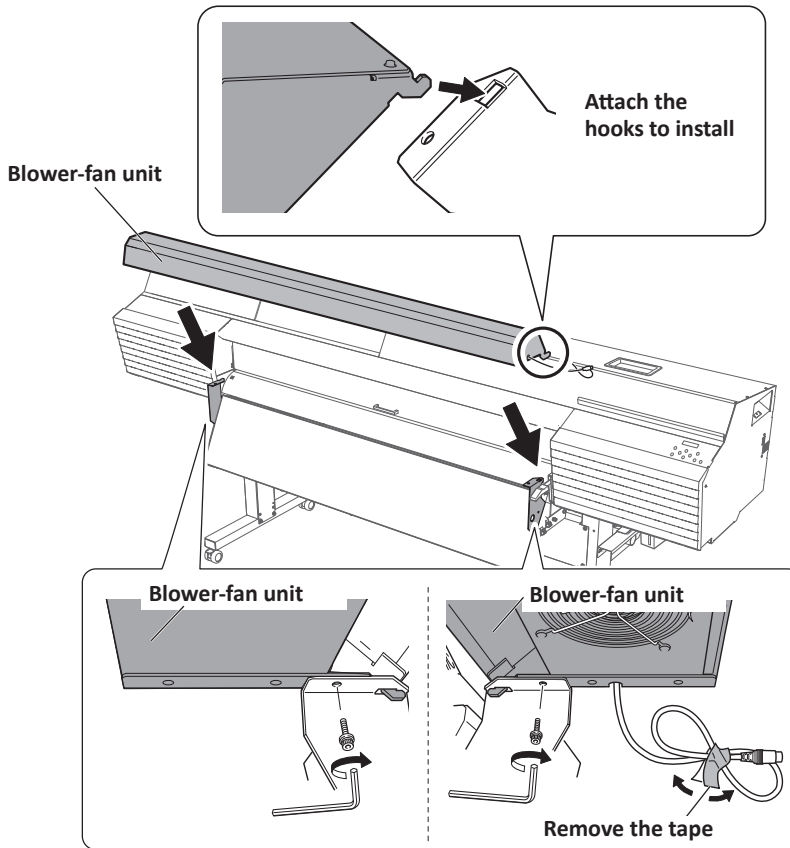
Procedure

1 Attach the stays.

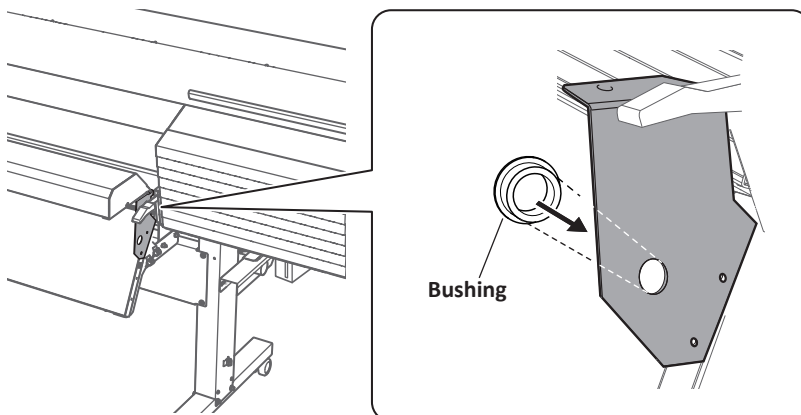
The stays for the left and right are different. Attach them in the orientation shown in the figure.



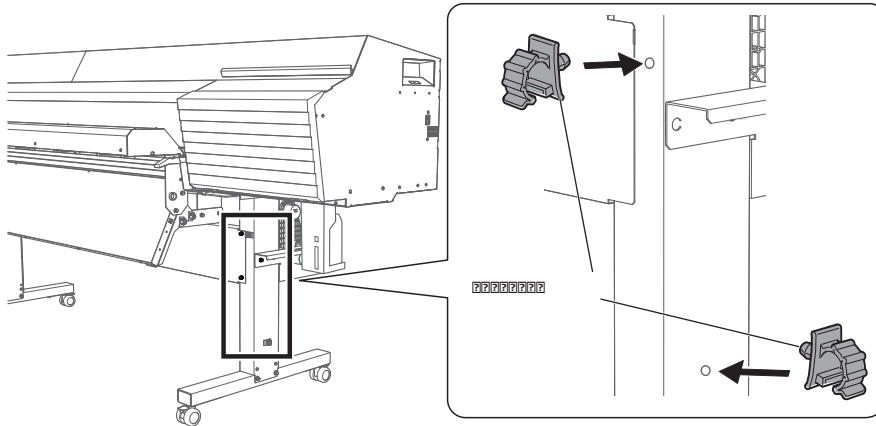
2 Install the blower-fan unit.



3 Attach the bushing to the stay (right).



4 Attach two cable clamps at the locations shown in the figure.



MEMO

When using an automatic media take-up unit, it is not necessary to attach new cable clamps to the two locations of the frame (right) as the cable clamps for the automatic media take-up unit are already attached. When using the cable clamps to secure the power cord, bundle and secure the power cord with the automatic media take-up unit cable.

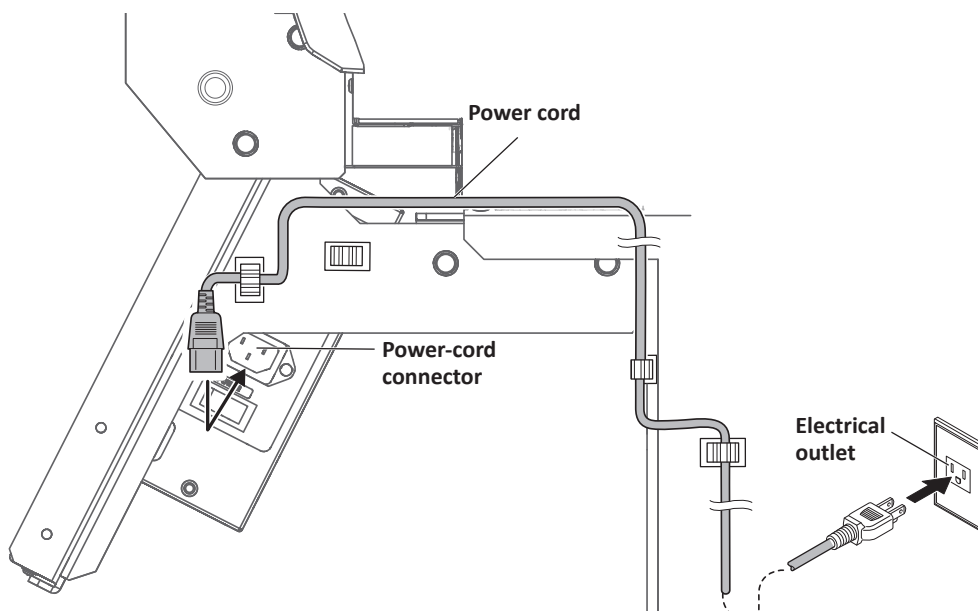
Connecting the Cables

- ⚠ WARNING** Connect to an electrical outlet that complies with this machine's ratings (for voltage, frequency, and current).
Incorrect voltage or insufficient current may cause fire or electrical shock.
- ⚠ WARNING** Connect the machine to ground.
This can prevent fire or electrical shock due to current leakage in the event of malfunction.
- ⚠ WARNING** Perform this task with all power switches left switched off.
Failure to observe this instruction may cause the machine to move suddenly, resulting in injury.

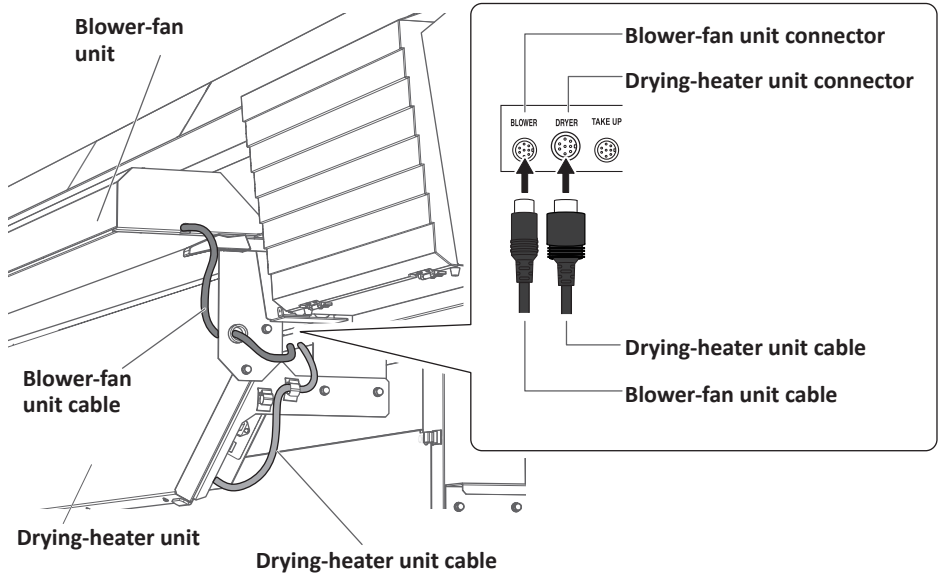
The printer and the drying-heater unit require separate high-capacity electrical outlets. Make sure to connect the two power cords to outlets on separate systems. Also, make sure that the electrical outlets meet the machine's ratings.

* The VG-640 is used for the printer in the figures.
Connect the drying-heater unit and blower-fan unit cables, and the power cord.

Power Cord



Drying-heater Unit/Blower-fan Unit Cable



Basic Operations

Drying-heater Unit Operation.....	16
What to Do First.....	16
Switching the Power On and Off.....	17
Setting the Drying-Heater Unit Temperature.....	18
Blower-fan Unit Operation.....	19
Turning On the Power of the Blower-fan Unit.....	19

Drying-heater Unit Operation

What to Do First

When installation of this machine is complete, configure the following settings in the printer's settings menu. If the following settings are not configured, the temperature of the drying-heater unit will not increase even if the drying-heater unit power switch is turned on.

1. Set [HEATER CONFIG] to "POWER ON."

1 Press [FUNCTION].

2 Press [▼] several times to display the screen shown below.

Press [▶].

```
FUNCTION  ◀▶
HEATER CONFIG ▶
```

3 Press [▼] several times to display the screen shown below.

Press [▶].

```
HEATER CONFIG ◀▶
POWER      ON ▶
```

4 Use [▲] [▼] to select "ON".

Press [ENTER].

```
POWER      ◀▶
OFF ▶     ON ▶
```

5 Press [FUNCTION] to go back to the original screen.

2. Set [OPTION DRYER] to "ENABLE."

1 Press [MENU].

2 Press [▼] several times to display the screen shown below.

Press [▶].

```
MENU      ◀▶
HEATER MENU ▶
```

3 Press [▼] several times to display the screen shown below.

Press [▶].

```
HEATER MENU ◀▶
OPTION DRYER ▶
```

4 Use [▲] [▼] to select "ENABLE".

Press [ENTER].

```
OPTION DRYER ◀▶
DISABLE▶ENABLE ▶
```

5 Press [MENU] to go back to the original screen.

Point

- Warm-up is required after power up. This may require 5 to 20 minutes, depending on the operating environment.
- Depending on the ambient temperature and the media width, the set temperature may not be reached.

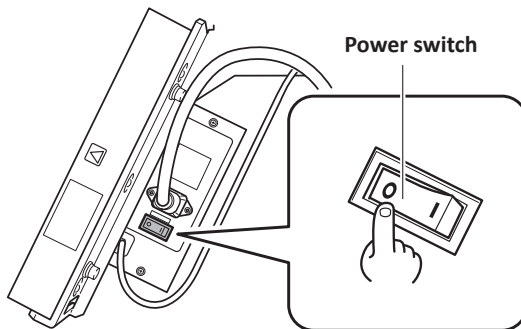
Removing This Machine

Select "DISABLE" in the [OPTION DRYER] menu and switch off the power before removing this machine.

Switching the Power On and Off

The power switch for the drying-heater unit is at the position shown in the figure. Power is normally turned on and off using the power switch.

Whenever printing is finished, turn the power switch to off.



Setting the Drying-Heater Unit Temperature

The drying-heater unit temperature is normally set to the same temperature as the printer unit dryer. To change the drying-heater unit temperature, please adjust the temperature of the printer unit dryer.

Procedure

- 1 Press [FUNCTION].
- 2 Press [▼] several times to display the screen shown below.

Press [▶].

```
FUNCTION  ◀◆
HEATER CONFIG ▶
```

- 3 Press [▲] or [▼] to select "DRYER."

Press [▶].

```
HEATER CONFIG ◀◆
DRYER 40°C ▶
```

- 4 Press [▲] or [▼] to select the temperature.

Press [ENTER] to enable the setting.

```
DRYER  ◀◆
40°C ▶ 45°C ↓
```

- 5 Press [MENU] to go back to the original screen.

Blower-fan Unit Operation

Turning On the Power of the Blower-fan Unit

The blower-fan unit does not have a power switch. The power of the blower-fan unit can be turned on and off by switching the settings on the printer side.

To use the blower-fan unit, select "ENABLE" in the printer's [BLOWER FAN] menu. When this is set to "ENABLE," the blower-fan unit will start turning simultaneously when printing starts. The blower-fan unit automatically stops when printing ends.

Procedure

- 1 Press [MENU].
- 2 Press [▼] several times to display the screen shown below.

Press [▶].

```
MENU      ◀◀
HEATER MENU ▶
```

- 3 Press [▼] several times to display the screen shown below.

Press [▶].

```
HEATER MENU ◀◀
BLOWER FAN ▶
```

- 4 Use [▲] [▼] to select "ENABLE."

Press [ENTER].

```
BLOWER FAN ◀◀
DISABLE ▶ ENABLE ↵
```

- 5 Press [MENU] to go back to the original screen.

Removing This Machine

Select "DISABLE" in the [BLOWER FAN] menu and switch off the power before removing this machine.

Specifications

		DU2-64	DU2-54
Drying method		Heating type (with blower fan), Set temperature: 30 to 50°C (86 to 122°F) (*1)	
Power requirements (*2)		AC 100 to 120V ± 10%, 5.5 A, 50/60 Hz or AC 220 to 240 V ± 10%, 3 A, 50/60 Hz	AC 100 to 120V ± 10%, 5.0 A, 50/60 Hz or AC 220 to 240 V ± 10%, 2.6 A, 50/60 Hz
Power consumption		Approx. 750 W	Approx. 670 W
Weight		26 kg (57 lb.)	24 kg (53 lb.)
Environment	During operation (*3)	Temperature: 15 to 32°C (59 to 90°F) (20°C (68°F) or higher recommended), Humidity: 35 to 80% (no condensation)	
	Not operating	Temperature: 5 to 40°C (41 to 104°F), Humidity: 20 to 80% (no condensation)	
Included items		Power cord, arms, bushings, cable clamps, stays, hexagonal wrench, bolts, washers, User's Manual	

*1

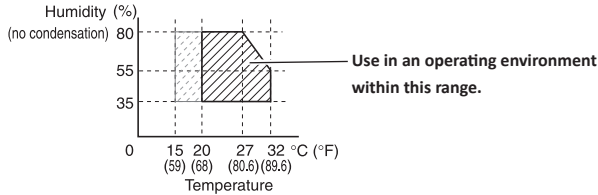
- Warm-up is required after power up. This may require 5 to 20 minutes, depending on the operating environment.
- Depending on the ambient temperature and media width, the preset temperature may fail to be reached.

*2

- Be sure to connect the machine to an unshared electrical circuit.

*3

- Operating environment



*4

When this unit is used with a printer equipped with a cutting feature, no assurance is made with respect to the following points. Refer to the user's manual included with the printer.

- Distance accuracy (when cutting)
- Repetition accuracy (when cutting)
- Alignment accuracy for printing and cutting
- Alignment accuracy for printing and cutting when reloading media

A series of horizontal dotted lines for writing.

MEMO

A series of horizontal dotted lines for writing.